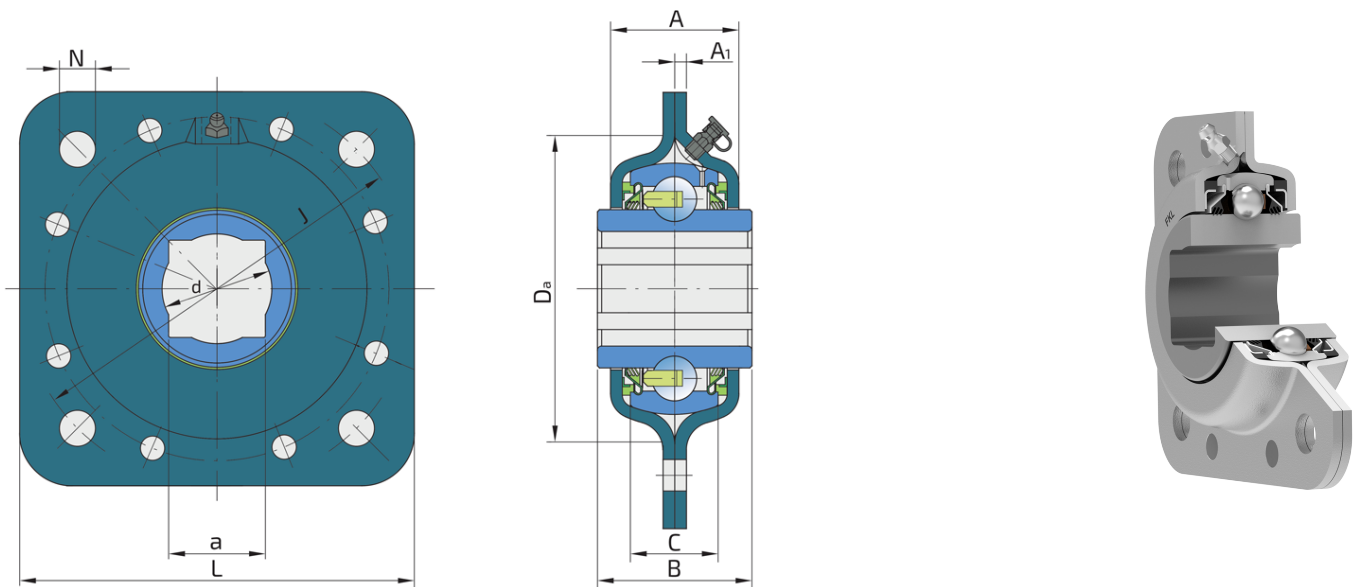


Square Series

GWST 209PPB32

Square Series
Disc Harrow



Technical Specification

a	Hexagonal bore	30 mm
d	Bore diameter	49.831 mm
B	Width inner ring	45 mm
C	Width outer ring	22 mm
Da	Centering diameter	97 mm
L	Overall length	127 mm
A	Distance from the housing flange to the front of the inner ring of the bearing	39 mm
A1	Width of the top of the housing	3.5 mm
J	Pitch circle diameter	127 mm
N	Diameter of attachment slot	13.5 mm
Fr	Radial load	7.7 kN
Fa	Axial load	3.8 kN
kg	Mass	1.77 kg
Cdyn	Dynamic load rating	32.5 kN
Co	Static load rating	20.4 kN
Pu	Fatigue load limit	0.857 kN

Sealing

RUBBER PLUG + T SEAL / T SEAL + RUBBER PLUG

3-lip seal seal on both sides provide long lasting protection of the bearing against the penetration of contaminants. Rubber plugs are protecting the area between the bearing and sheet metal housing.

