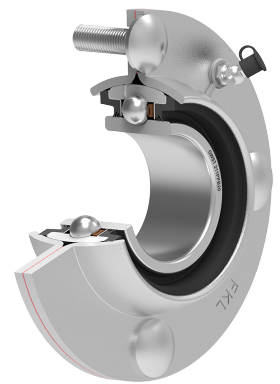
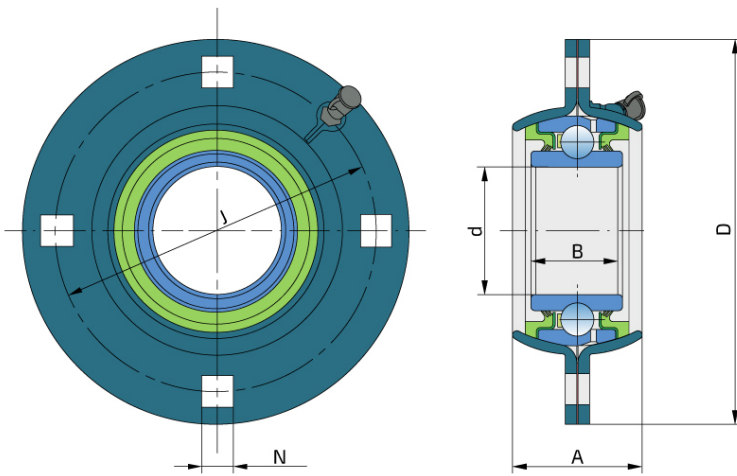


# Round Series

## GWST 211PPB20

Round Series  
Disc Harrow



### Technical Specification

C <sub>dyn</sub>	Dynamic load rating	43.5 kN
C <sub>o</sub>	Static load rating	29 kN
J	Pitch circle diameter	138 mm
D	Outside diameter	167 mm
d	Bore diameter	55.7 mm
kg	Mass	2.706 kg
B	Width inner ring	39.7 mm
N	Hole diameter	13.5 mm
A	Overall width	56.5 mm

## Sealing

---

### T SEAL / T SEAL (2T)

3-lip seal on the both side of the bearing, provides equal protection against contamination. Recommended for application where the possibility of contamination is the same on the both side.

