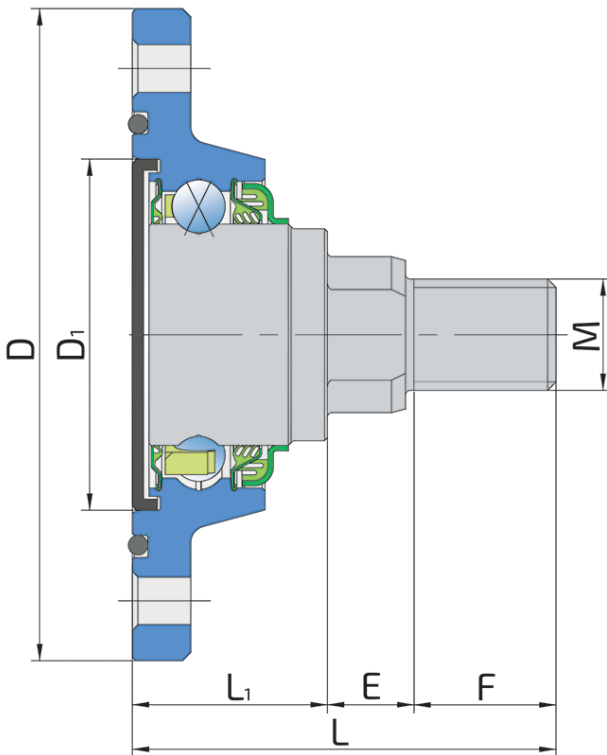


# The Bearing Solution For Harsh Seeding Conditions And Coulter Discs Of Ploughs, Integrated Flange

## IL30-95/6H-M20

The Bearing Solution For Harsh Seeding Conditions And Coulter Discs Of Ploughs, Integrated Flange

Seeding machines for No-till and Strip-till farming technology; Coulter discs for seeding machines; Marker discs for ploughs



### Technical Specification

J	Pitch circle diameter	95.5 mm
D	Outside diameter	117 mm
D1	Outside diameter	63 mm
H/T	Hole/Thread	6x8.5 mm
d	Bore diameter	28 mm
C	D-shape hole cut out dimension	25.4 mm
M	Outer Thread	M20 mm
L	Total length	76 mm
L1	Total flange length	35 mm
E	Length of D shape	15.5 mm
F	Length of threaded part	25.5 mm
kg	Mass	1.21 kg
C <sub>dyn</sub>	Dynamic load rating	29.6 kN
C <sub>o</sub>	Static load rating	21 kN
P <sub>u</sub>	Fatigue load limit	0.88 kN

## Sealing

### O-RING+SHEET METAL SHIELD+S SEAL / DOUBLE T SEAL+STEEL SHIELD

O-ring with Sheet metal shield and S seal on the base side and the double 3-lip seal with Steel shield on the front side.

O-ring with Sheet metal shield and S seal on the base side completely excludes all contaminants.

Double 3-lip seal protects the front side much longer than the just comparing to the regular one 3-lip seal. Steel shield is additional, strong protection of the double 3-lip seal against mechanical damage.

